



# David Graham

Winter 2017-18

Member of Parliament for Laurentides—Labelle

*FROM HERE, FOR HERE*



[www.davidgraham.ca](http://www.davidgraham.ca)

[david.graham@parl.gc.ca](mailto:david.graham@parl.gc.ca)

1-844-750-1650

### Sainte-Agathe-des-Monts

80-A Norbert-Morin Blvd. J8C 2V8  
Phone: 819-326-4724  
Fax: 819-326-2008

/daviddebgraham

### Mont-Laurier

424 du Pont Street J9L 2R7  
Phone: 819-440-3091  
Fax: 819-440-3095

### Ottawa

672 Confederation Building  
House of Commons K1A 0A6  
Phone: 613-992-2289  
Fax: 613-992-6864

*No stamp is needed to send mail to any federal Member of Parliament*

## AT YOUR SERVICE

My team and I **are here for you!** You are always welcome at one of our **three offices**. Do not hesitate to contact us, to send us your questions or comments about :

- Guaranteed Income Supplement
- Citizenship and Immigration
- Employment Insurance
- The Canada Pension Plan
- Canada Child Benefit
- Any other federal file or service
- Any community initiatives

See you soon!



*Philippe Roy, president of CRE, Mélissa Laniel, project manager at CRE, and David announced this project on October 13th.*

## \$100,000 FOR OUR LAKES

In support of the fight that the *Conseil régionale de l'environnement des Laurentides (CRE)* is waging against Eurasian watermilfoil, Environment and Climate Change Canada has provided funding of \$100,000 over the next three years through the EcoAction program.

The project, worth a total of \$340,000, includes a campaign to educate users at more than 100 water access points across the Laurentians about the importance of inspecting and cleaning all watercraft. Volunteer patrols will also be trained.

*"From one end to the other of Laurentides—Labelle, protecting our waterways is of utmost importance. I am very happy that the CRE des Laurentides is receiving this support from the Canadian government for a firm project with this goal."* - David

This federal partnership builds on the work done by the 15 students hired through the Canada Summer Jobs program to raise awareness.

Dear friends:

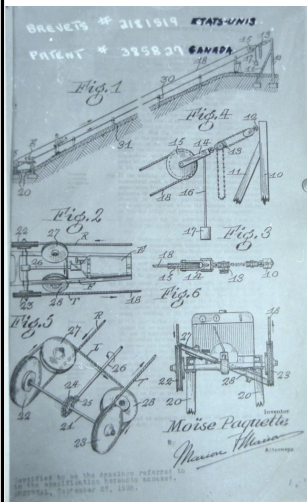
The end of year holiday season is upon us! As we wrap up the 150th anniversary of Canada's Confederation, I want to come back one more time to our theme of how the Laurentians have led Canada. We have been saving the most obvious one until now: our impact on skiing in the country. As we head into a winter that we hope will be more of a winter than our summer was a summer, we will head along this trail.

Did you know that 12 of the 70 commercial ski hills in Quebec (17%) are in Laurentides--Labelle and they have 345 runs? There are several more in the adjacent area, but that is only one edge of the story. There are also 25 cross-country ski centres in the riding and innumerable private and public ski trails criss-crossing the region, not to mention the southern half of the linear park (the northern half is reserved for snowmobiles in winter). If we go back to the beginning of skiing in the region, the line between cross-country and alpine skiing was a heck of a lot fuzzier. For that matter, skis were initially referred to as "Norwegian snowshoes" in the area.

When my grandmother, 1930s Canadian ski champion Patricia Paré, started skiing in the Laurentians, where much of her family was established on Lac Raymond in Val-Morin and Lac-des-Sables in Sainte-Agathe-des-Monts, she would take the Canadian Pacific Railway's Snow Train up to Mont-Tremblant from Montreal, ski out to the mountain, scale the mountain and ski down it three times over the course of the day. On Sunday, she and her friends would ski south across the fields near the railway to see how far they could get before boarding at another station.

The chairlift, as we know it, did not exist until 1936 when it was invented in the United States, but the first automatic system for getting someone back to the top of a ski hill had already been developed *here* — the first rope-tow was invented by Moïse Paquette in Sainte-Agathe-des-Monts — although the folks in Prévost will tell you that it was Alex Foster who built it there. It is also *here* that the first artificial snow was generated at Mont-Gabriel (Sainte-Adèle) by Stan Ferguson in 1957.

Skiing, and of course snowshoeing and snowboarding, are important parts of who we are as a region. It should not be surprising to learn that we have both the *Laurentian Ski Museum* in Saint-Sauveur focusing on our local ski history and the *Canadian Ski Hall of Fame and Museum* working toward the establishment of a major institution at the foot of Mont-Tremblant. It is, as always, through remembering our past that we build our future.



*The original rope tow patent by Sainte-Agathe resident Moïse Paquette, known as "the tinkerer."*

*Image courtesy of the Paquette family collection*

The winter-sports industry — which also includes snowmobiling and skating which are subjects for another issue — in the Laurentians represents a big chunk of our tourism economy, and it is to those volunteers, visionaries, and professionals who have done the grunt-work in developing this industry over the past century and in running it today that we dedicate this issue.

Have an excellent ski season and happy holidays!

*David*



*"I applaud all of the ski instructors and trainers, customer service workers, administrative staff, cooks, ski patrollers, trail groomers, maintenance workers, mechanics and technicians, lift operators, parking attendants, rental technicians, and food service and accommodation workers who work hard every winter to make our region the ultimate skiing destination. I want to thank them and wish them a great ski season."*

*- David, in the House of Commons on October 23rd.*

*Photo: Meeting with this year's Vallée-Bleue instructors ahead of the ski season.*



*Thanks to this innovative new installation, the Centre Maximise in Sainte-Agathe-des-Monts allows skiing and snowboarding athletes to train in all seasons for international competition.*

*Left to right: Maxime Hénault, Laurie Blouin, Denis Chalifoux, Sébastien Toutant, David Graham, Maxence Parrot, and Simon Lafrenière at the inauguration of Canada's only inflatable ski-hill on July 14th.*

## A TEAM DEDICATED TO THE COMMUNITY

Chloée Alary	Luc Lefebvre	Hugo Paquette	Cristina Lapaz	Jules Chiasson	Denis Gaumont	Su Lim LaRochelle
--------------	--------------	---------------	----------------	----------------	---------------	-------------------



## DAVID GRAHAM, DÉPUTÉ LAURENTIDES — LABELLE

*Ce bulletin est également disponible en français*

## SUPPORT FOR THE COMMUNITY

December brings with it the holiday season and two well-established traditions: *La Guignolée* and *Opération Nez Rouge*. These two community activities could not happen without the support of numerous volunteers and partners.

Thank you to all who give their time to others in the service of our community. I encourage everyone to get involved this year in these or the many similar activities!

Thank you for your generosity!



Hugo and Chloée from our office joined me for a shift at *Opération Nez Rouge* at the *Maison des Jeunes de Sainte-Adèle*, here with organiser Marie-Andrée Cyr. Last year, I joined my team in Sainte-Adèle, Mont-Tremblant, Rivière-Rouge, and Mont-Laurier for a total of five nights. This year will be my 5th year driving with Nez Rouge.



Our office team members Luc and Cristina will be participating with the *Guignolée des médias* on December 7th, seen here with *Laure Volquin* of the *Upper Laurentians United Way (Centraide GLHL)*.

## A CONSTITUENCY FULL OF INSPIRING PEOPLE !

You know about inspiring people and projects in the community: share your admiration! Tell us about them!



The **Mont-Tremblant regional aviators association (AARMT)** held their annual event to initiate youth into the world of aviation on September 16th at Mont-Tremblant (Gray Rocks) Airport. Hats off to the organising committee, president Normand Lajeunesse, and the numerous volunteers who made sure this “youth in flight” day was a success. This year, my fellow pilots and I had the opportunity to introduce over 200 young local residents to flying.



Besides the *P'tit Train du Nord* linear park, a similar park deserves to be a bit better known: the **Aerobic Corridor**, which passes through Amherst, Huberdeau, Arundel, and Montcalm. Congratulations to the MRC des Laurentides and these municipalities for their history tour on the 15th and 16th of September as part of our Canada 150 celebrations.



It is with pride that Notre-Dame-du-Laus inaugurated their new **village recreation centre** made up of a library, covered skating rink, and an activity centre, as well as a freshly renovated community hall. These municipal projects were brought about through partnerships of all levels of government. Residents of Notre-Dame-du-Laus and of the region will benefit greatly from these recreational installations!



I was inspired by meeting Mont-Tremblant resident **Félix Burke**, multi-medal winner in mountain biking at the Canada Games! When he is not competing, Félix spends time sharing his enormous passion with many youths in the region.



Respect and recognition for our seniors who have created today's society! Thank you to all the organisations which hold events like the Ferme-Neuve Community Centre's popular August **Seniors' Festival**. Hats off to Blanche Leblanc, its founder.



In Nominique, as in many places, seniors have a dedicated social centre. With the help of the **New Horizons Program for Seniors**, major improvements were effected to improve accessibility here. Congratulations on your success!

There are numerous popular casse-croûtes in the region. At the end of the summer, founders René and Suzanne together with their family Isabelle, Francis, Èva, and Alexia organised a corn roast to celebrate 30 years of **Casse-croûte Richard** in the community of Lac-Saint-Paul.



What a pleasure to meet the kind residents of **Habitat Saint-Sauveur** on September 22nd, where we were able to announce a much-needed subsidy from the Canada Mortgage and Housing Corporation (CMHC) to redo the roof of the 72-unit building.



## KNOWING OUR REGION: *The Laurentians Takes to the Hills*

There is an old adage that goes: we need to know where we come from to know where we are going. I love my country and am passionate about discovering the origins of places and the people who made them. So I invited my father, local historian **Joseph Graham**, to tell us a bit about the history of our region. Over the next few years you will receive many more of this type of communications and as often as possible I will include a section on our history. If you have any historical subjects that you would like to learn more about, let us know!

Enjoy the read !

### *The Laurentians — the birthplace of skiing in Canada*



*I had the privilege of talking to Lucille Wheeler at the Laurentian Ski Museum Annual Hall of Fame Dinner on October 21st. She won Canada's first-ever Olympic medal in skiing in 1956 and was the first woman inducted into the Hall of Fame, in 1982.*

In 1893, when Dr. Camille Lavolette presented his arguments for the creation of Mont Tremblant Park to the Quebec Government, he mentioned various sports, but skiing wasn't on the list. A decade earlier, the elders of La Sagne, Canton Vaud, in Switzerland recommended hiring a Norwegian to teach the children how to ski as well as an English teacher so they could learn to talk with the wealthy British tourists who came to scale the mountains. One of their most successful students was a young man named Émile Cochand. Born in 1890, he won his first race at age six. He nailed a pair of boots onto barrel staves and probably just took off... He won a goblet, but the next year he won a pair of real skis. By the time of his military service, he was so well known in skiing that he spent two years training the Swiss armed forces.



Ski Instructor Émile Cochand and pupil 1911 (Canadian Ski Museum Collection)

*Émile Cochand giving ski lessons in 1911  
Photo courtesy of the Canadian Ski Museum*

In the meantime, some avid amateurs had taken over the palatial home of the Viscount Ogier d'Ivry, creating the Lake Manitou Ski Club. They began the Laurentian weekend tradition of skiing over farms, covering huge distances more or less following the rail line, then catching the train back to Montreal. One of their members, businessman and philanthropist Lorne McGibbon (who had founded and funded Sainte-Agathe's Laurentian Sanatorium for tuberculosis after having overcome the disease himself) thought they needed instruction in the sport. Up until that time, snowshoes dominated the hills and trails, and skis were simply considered Norwegian snowshoes. In 1910, McGibbon's colourful friend Ernest DesBaillets mentioned that he was returning to Switzerland to see his family. McGibbon prevailed upon him to find a Swiss who would be willing to come to Sainte-Agathe to teach skiing. After investigating, DesBaillets was directed to the home of the Cochand family in La Sagne where he met the 20-year-old Émile, who promised to come once he had finished his military service.

A year later Cochand arrived in Canada with 100 pairs of skis, 6 bobsleds and 20 luges. Coming up to Sainte-Agathe, he looked despairingly for the mountains.



*To help discover the rich skiing history of the Laurentians, you need only talk to Sainte-Agathe historian Michel Allard. As well as collaborating with the Laurentian Ski Museum, Allard is the author of the book: [Le Cœur des Laurentides](#).*

Émile Cochand was tasked with promoting skiing in Sainte-Agathe, and in one of the first events he organised, at Christmas in 1911, he included a snowshoe race to make sure he would draw a crowd. He also enticed farmers to allow people to ski over their fields in the winter, tolerate the broken fences and encourage the new tourism that the sport brought. Everything went well until the war started. Around the same time, though, he had met another Swiss, Léa Berger, a nanny whose parents were restaurateurs in Sonveiler near Bern. With the war taking centre stage, Léa and Émile struggled to survive as skiers. Their friend Jack Kerr, treasurer of the Montreal Ski Club, introduced them to his neighbour at Sainte-Marguerite Station and they acquired his 500-acre farm on terms. They dreamed of a ski resort.

Chalet Cochand began in a barely insulated farm house during the war years, with Émile working in Montreal to help supply the funds. Thanks to Montreal customers, the chalet survived and grew through the 1920s. Together with the Wheelers, Nymarks and many others, they founded the Laurentian Resorts Association, cutting trails to join the different resorts while Léa and others, back at their lodges, helped set the standards of Laurentian cuisine and hospitality. By the winter of 1926-27 Émile had convinced CP Rail of the importance of skiing and the P'tit Train du Nord was adapted to transport them.



*The "Snow Train" arriving at Sainte-Agathe-des-Monts  
Image: Sainte-Agathe-des-Monts Heritage Committee*

Eventually 10,000 people a weekend came to the Laurentians on that train, skiing through the woods and staying at the various resorts. Laurentian skiing had begun.

- Joseph Graham

*Special thanks to Charles Cochand, grandson of Émile.*

## \$110 MILLION IN NEW FEDERAL INVESTMENT IN THE RIDING IN JUST TWO YEARS

At mid-term of our mandate, we are particularly proud of the significant new federal government investment in the riding of Laurentides—Labelle. The improved **Canada Summer Jobs** and the new **Canada Child Benefit** programs have had a significant impact on the region. More than **350 community and economic projects** have received federal support in these two years.

### Laurentides—Labelle by the numbers:

- **More than \$5 million per month** goes to families that include 15,000 children, thanks to the Canada Child Benefit, in place since July 2016.
- **\$23.3 million** of new infrastructure investment (sewers, aqueducts, community centres, parks, and sports facilities)
- **\$10 million** in direct economic development projects such as productivity improvements for businesses, financial support to our SADCs, and promotions
- **\$2.2 million** from Employment and Social Development Canada (Canada Summer Jobs, New Horizons for Seniors, the Accessibility fund, CMHC)
- **\$970,000** from Canadian Heritage (festivals, celebrations, media funds, and help to our local athletes).

### Two years of the Liberal government:

- Canada Child Benefit which is providing more money to 9 out of 10 families
- Raised taxes on the wealthiest 1% in order to reduce taxes on the middle class
- Employment Insurance changes to make parental benefits and informal caregiver benefits easier and more flexible and inclusive
- Retirement age restored to 65
- Unparalleled infrastructure investment to boost the economy
- Tireless work on the many challenges relating to climate change
- Positive international leadership from Canada
- Targetted investments to help provinces improve access to homecare
- Reduction of the small business tax rate from 10.5 to 9% in 2019

*"It is a true privilege to represent the people of Laurentides—Labelle in Ottawa. It is a serious responsibility that I take to heart. I want to improve the quality of life for my native region. In two years, we have accomplished a lot — and we are just beginning!" - David*



*On October 18th, [La Manufacture](#) was launched in Sainte-Agathe-des-Monts. This is the first business incubator in the Laurentians. The federal government is one of many partners in this project through the Economic Development Agency for the Regions of Quebec (DEC).*

## SKIING IN THE LAURENTIDES: DID YOU KNOW...

- ⇒ The ski industry in Quebec generates annual economic activity of more than **\$800 million**, with our riding having the most activity, at **1,858,000 person-days of skiing** out of a total of six million across the province in the 2016-17 season. (Source: ASSQ)
- ⇒ Hermann Smith Johannsen, nicknamed *Jackrabbit*, is considered to be one of the pioneers of cross-country skiing in Canada. He lived in the region until the age of 111 in 1987.
- ⇒ More than twenty ski hills have disappeared in the region over the years, including Gray Rocks, Mount Daniel, Mount Kingston, Mont Alouette, and the Marquise Centre.
- ⇒ In addition to the huge staff required to run our local ski hills, an average of 1,300 people work as instructors each season.
- ⇒ The Laurentian Ski Museum Hall of Fame lists 175 people in the categories of builder, athlete, journalist, and organiser.
- ⇒ Our region is a breeding ground for champions, including Erik Guay, Jasey-Jay Anderson, Brittany Phelan, Mélanie Turgeon, Mikaël Kingsbury... **can you name others?** There are a lot!

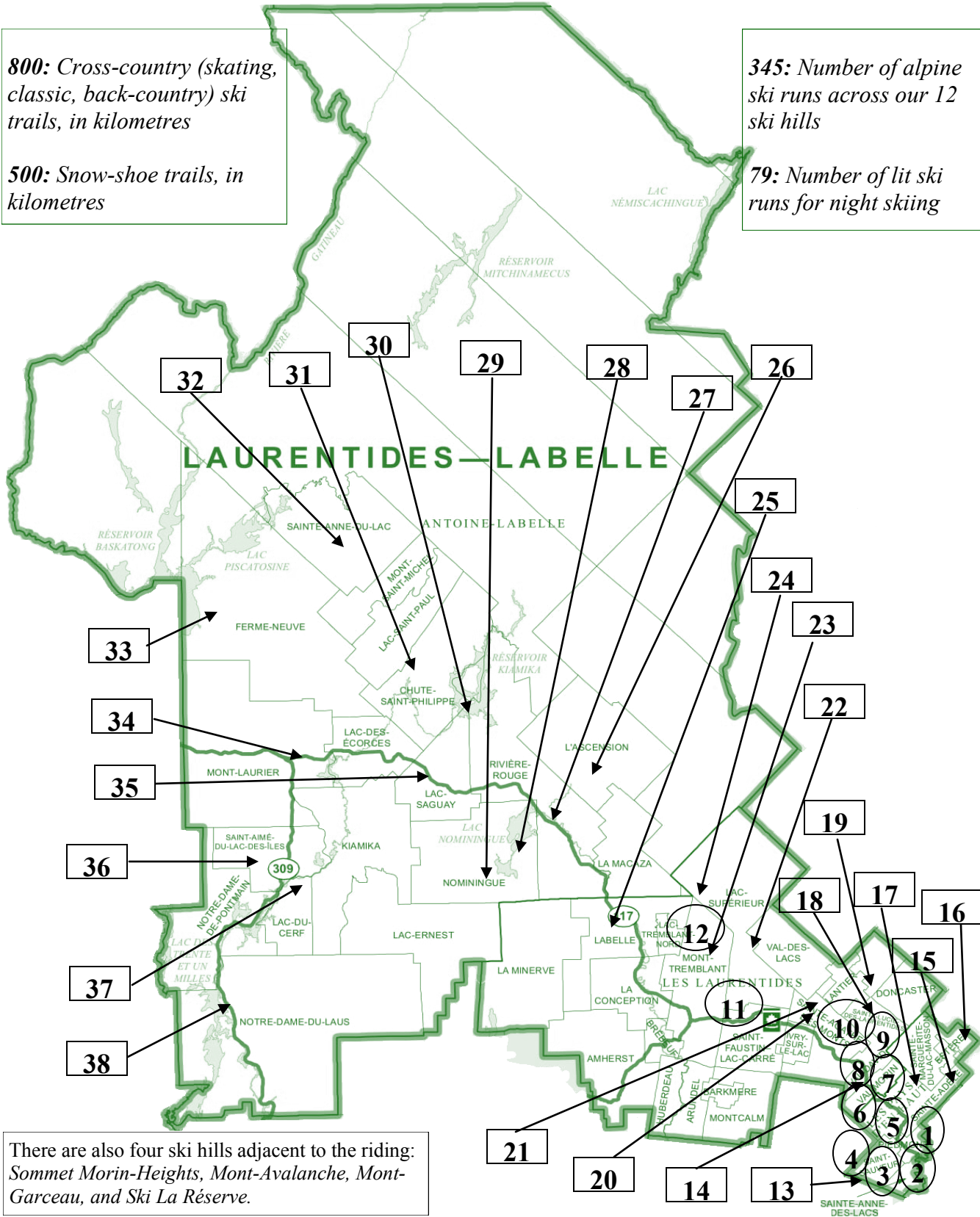
## IN THE RIDING

**800:** Cross-country (skating, classic, back-country) ski trails, in kilometres

**500:** Snow-shoe trails, in kilometres

**345:** Number of alpine ski runs across our 12 ski hills

**79:** Number of lit ski runs for night skiing



There are also four ski hills adjacent to the riding: *Sommet Morin-Heights, Mont-Avalanche, Mont-Garceau, and Ski La Réserve.*

## Centres identified on the map

○ Alpine skiing — snowboard — telemark

- 1- *Sommet Olympia*; Piedmont
- 2- *Sommet St-Sauveur - Avila hillside*; Saint-Sauveur
- 3- *Sommet St-Sauveur*; Saint-Sauveur
- 4- *Mont-Habitant*; Saint-Sauveur
- 5- *Sommet Gabriel*; Sainte-Adèle
- 6- *Chantecler ski hill*; Sainte-Adèle
- 7- *Belle-Neige ski hill*; Val-Morin
- 8- *Vallée-Bleue ski hill*; Val-David
- 9- *Mont-Plante*; Val-David \*
- 10- *Mont-Alta*; Val-David \*
- 11- *Mont-Blanc*; Saint-Faustin-Lac-Carré
- 12- *Mont-Tremblant*; Mont-Tremblant

\* ski hill without any mechanical lifts

□ Cross-country skiing; snowshoeing

- 13- *Plein air Ste-Anne-des-Lacs*; Sainte-Anne-des-Lacs
- 14- *Le P'tit Train du Nord linear park*; Val-David / Val-Morin / Sainte-Adèle / Piedmont
- 15- *Parc régional Rivière Doncaster*; Sainte-Adèle \*\*
- 16- *Centre de ski de fond de l'Estérel*; L'Estérel
- 17- *Plein air Ste-Adèle*; Sainte-Adèle
- 18- *Val-David—Val-Morin regional park*; Val-David / Val-Morin
- 19- *L'Interval — Coop de solidarité plein air*; Sainte-Lucie-des-Laurentides
- 20- *Camping et centre plein air Sainte-Agathe-des-Monts*; Sainte-Agathe-des-Monts
- 21- *Club plein air Ste-Agathe*; Sainte-Agathe-des-Monts
- 22- *Centre de vacances et plein air Le P'tit Bonheur*; Lac-Supérieur
- 23- *Ski de fond Mont-Tremblant* (Domaine Saint-Bernard); Mont-Tremblant
- 24- *Parc National Mont-Tremblant; secteur La Diable*; Lac-Supérieur / Mont-Tremblant
- 25- *Centre de ski de fond de Labelle*; Labelle
- 26- *Parc de la Source*; L'Ascension \*\*
- 27- *Club de ski de fond Les 6 Cantons*; Rivière-Rouge
- 28- *Parc Le Renouveau Rosaire-Sénécal*; Nominique
- 29- *Lac des Grandes Baies*; Nominique (réserve faunique Papineau-Labelle)
- 30- *Parc régional Kiamika*; Rivière-Rouge / Chute-Sainte-Philippe / Lac-Saguay
- 31- *Les sentiers nature de Chute-Saint-Philippe*; Chute Saint-Philippe
- 32- *Les sentiers Tapani*; Sainte-Anne-du-Lac
- 33- *Montagne du Diable regional park*; Ferme-Neuve
- 34- *Centre de ski de fond Mont-Laurier*; Mont-Laurier
- 35- *Boisé Joseph-B.-B.-Gauthier*; Lac-Saguay
- 36- *Sentiers du Lac Gaucher*; Saint-Aimé-du-lac-des-Îles \*\*
- 37- *Parc de la Biche*; Lac-du-Cerf
- 38- *Chalet Rapide des Cèdres*; Notre-Dame-du-Laus

\*\* snowshoeing trails only

Name: \_\_\_\_\_  
 Address: \_\_\_\_\_  
 Town: \_\_\_\_\_  
 Postal Code: \_\_\_\_\_  
 Phone: \_\_\_\_\_  
 Email: \_\_\_\_\_

Did you know that the seniors of the 3 MRCs in Laurentides—Labelle receive about **\$184 million per year** in Old Age Security payments?

Yes  No

### Comments

\_\_\_\_\_  
 \_\_\_\_\_  
 \_\_\_\_\_  
 \_\_\_\_\_  
 \_\_\_\_\_  
 \_\_\_\_\_  
 \_\_\_\_\_

*Thank you for your input. Please note that while I personally read every comment, with the volume of correspondence received it is not always possible to respond individually. Thank you!*

- David

*No stamp necessary*

**DAVID GRAHAM, MP**  
**672 Confederation Building**  
**House of Commons**  
**Ottawa, ON K1A 0A6**

In order to protect the confidentiality of your responses, you may also put this response card in an envelope without a stamp or address, marked simply:

**David Graham, MP**

*Feel free to enclose additional information.*